

MOMENTARY ACTION COMMERCIAL GRADE LED ILLUMINATED & WATERTIGHT SEALED

The OTTO LP9 Lighted Dome series is a quality precision switch designed for use in panels, control grips, instruments, heavy equipment and other demanding applications where attractive, rugged, lighted pushbutton switches are required.

The LP9 series offers a positive tactile feedback, signaling the operator when the switch is operated with the added benefit of reliable LED illumination. The LP9 series offers four button versions; flush and raised profile with either a glossy or matte finish. It also comes with a threaded case for hex nut mounting while providing a short behind panel depth.

The LP9 series is constructed to meet IP68S watertight seal. Expect 25,000 operations at full rated load of 5 amps resistive or 3 amps inductive; 500,000 operations at 500mA/200mA resistive.

These momentary snap-action double break switches are available in standard and low operate forces. The LED is available in six colors and has the ability to accommodate 2 or 12VDC.

Features:

- **Watertight to IP68S**
- **LED lighting available in 6 colors with the ability to accommodate 2 or 12VDC**
- **Flush & raised button style**
- **Matte or glossy button finish**
- **Full button illumination style available with glossy button finish**
- **Positive tactile feedback contact transfer**
- **Withstands extreme shock & vibration**
- **Short behind panel depth**
- **RoHS/WEEE/Reach compliant**



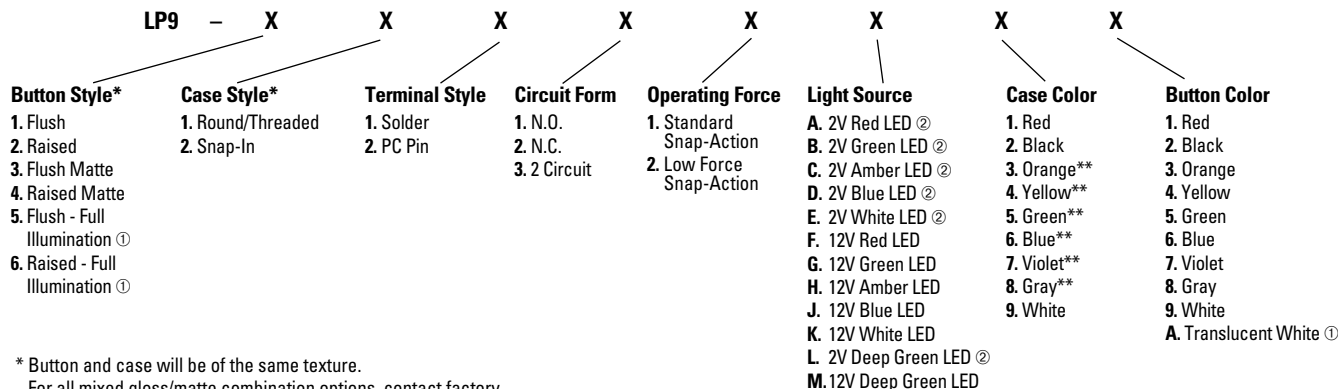
Flush Dome
Also available with
Raised Dome



Raised Dome
Full Illumination Style
Also available with
Flush Dome

Standard Characteristics/Ratings:				
ELECTRICAL RATINGS:		Sea Level @ 28VDC or 115VAC, 60/400Hz		
Load	N.O./N.C.	2 Circuit	Cycles	Operating Force
Resistive	5A	4A	25,000	Standard
Inductive	3A	2A	25,000	Standard
Resistive	500mA		500,000	Standard
Resistive	200mA		500,000	Low
DVV	1000Vrms through switch contacts only			
Low Level	10-100mA @ 3-28V		1,000,000	
Electrical Life:	See Rating Chart			
MECHANICAL:				
Mechanical Life:	1,000,000 cycles			
Seal:	IP68S			
Operating Temp Range:	-40°C to +85°C			
Operating Force:	1.7 +/- 0.5 lb. (standard force) 12 +/- 4 oz (low force)			
Total Travel:	0.080 inches max			
Overtravel:	0.010 inches min			
MATERIALS:				
Case:	Thermoplastic			
Button:	Thermoplastic			
Terminals:	Brass with gold over silver			
Mounting Hardware:	Hex nut, lockwasher and panel gasket for round/threaded style case Panel gasket for snap-in style case only			

LP9 PART NUMBER CODE



* Button and case will be of the same texture.
For all mixed gloss/matte combination options, contact factory.

** For minimum requirement, contact factory.

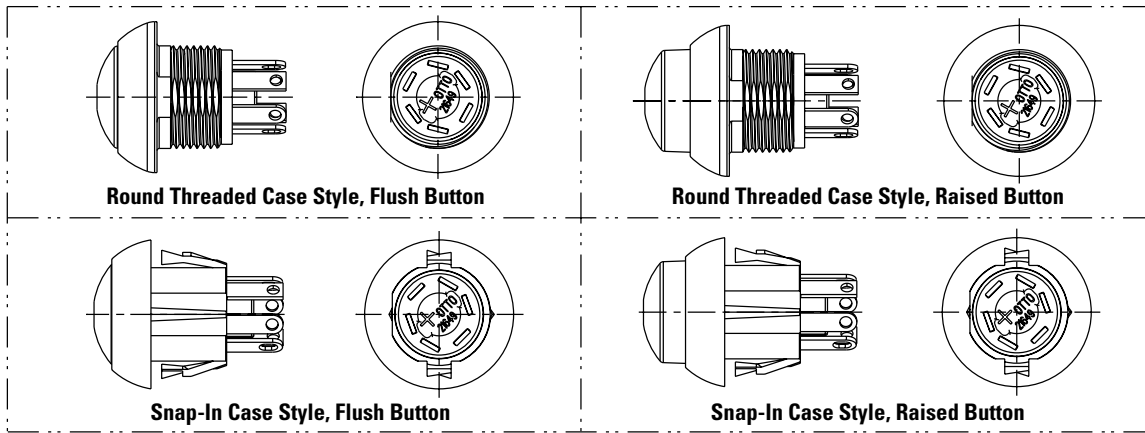
① Full illumination button styles available with translucent Button Color selection A only.

② 2V LED's are intended for use with an external resistor. See LED voltage chart in appendix for details on the approximate value of the resistor.

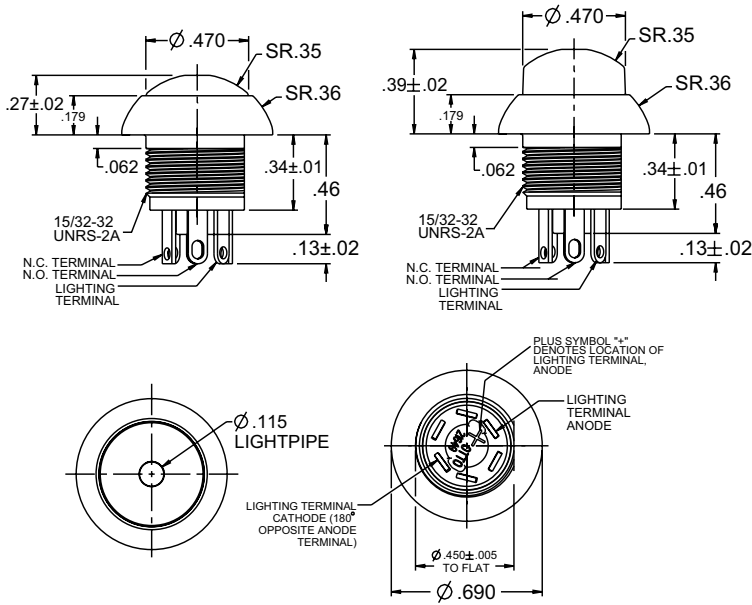
ILLUMINATED SEALED DOME PUSHBUTTONS

LP9
ILLUMINATED
PUSHBUTTONS

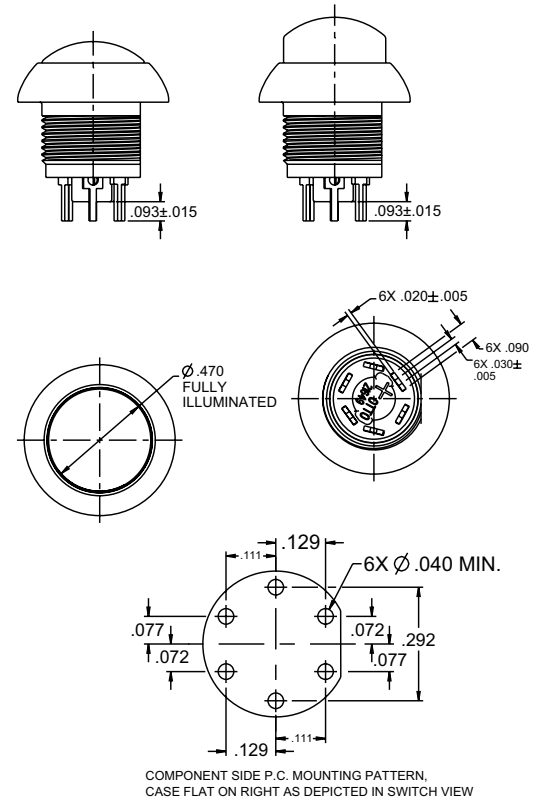
MOMENTARY ACTION COMMERCIAL GRADE LED ILLUMINATED & WATERTIGHT SEALED



Standard Terminals



PC Pin Terminals (Full Illumination Option Shown)



RECOMMENDED PANEL OPENINGS FOR SNAP-IN STYLE CASE		
PANEL THICKNESS	RECOMMENDED Ø	DIM. ACROSS D-FLAT
.024	Ø .505	.460
.118	Ø .505	.460

