

LOW LEVEL MOMENTARY ACTION COMMERCIAL GRADE LED ILLUMINATED & WATERTIGHT SEALED

The OTTO LP9L Lighted Dome series is a quality precision switch designed for use in panels, control grips, instruments and other demanding applications where attractive, rugged, lighted low level pushbutton switches are required.

The LP9L series offers a positive tactile feedback, signaling the operator when the switch is operated with the added benefit of reliable LED illumination. The LP9L series offers four button versions; flush and raised profile with either a glossy or matte finish. Featuring short behind panel depth, it comes with either a snap-in case or a threaded case for hex nut mounting .

The LP9L series is constructed to meet IP68S watertight seal. Expect 1,000,000 operations at 50mA resistive.

The LP9L series are momentary snap-action double break switches, available in standard and low operate forces. The LED is available in five colors and has the ability to accommodate 2 or 12VDC.

## Features:

- Low level switch
- Watertight to IP68S
- LED lighted with the ability to accommodate 2 or 12VDC
- LED available in 6 colors
- Flush & raised button style
- Matte or glossy button finish
- Positive tactile feedback contact transfer
- Withstands extreme shock & vibration
- Short behind panel depth
- RoHS/WEEE/Reach compliant



Raised Dome

Also available with  
Flush Dome

Standard Characteristics/Ratings:		
<b>ELECTRICAL RATINGS:</b>	Sea Level @ 28VDC or 115VAC, 60/400Hz	
<b>Load</b>		
Resistive:	50mA	
DWV:	1050Vrms through switch contacts only	
<b>Electrical Life:</b>	1,000,000 cycles	
<b>LIGHTING:</b>		
<b>Light Source Voltage (DC)</b>	<b>Actual Voltage Nominal (DC)</b>	<b>Voltage Max (DC)</b>
2	2	2.6
12	13.5	14.5
<b>Mechanical Life:</b>	1,000,000 cycles	
<b>Seal:</b>	IP68S	
<b>Operating Temp Range:</b>	-40°C to +85°C	
<b>Operating Force:</b>	1.7 +/- 0.5 lb. (standard force) .75 +/- .25 lb. (low force)	
<b>Total Travel:</b>	0.080 inches max	
<b>Overtravel:</b>	0.010 inches min	
<b>MATERIALS:</b>		
<b>Case:</b>	Thermoplastic	
<b>Button:</b>	Thermoplastic	
<b>Terminals:</b>	Brass with gold over silver	
<b>Mounting Hardware:</b>	Hex nut, lockwasher and/or panel gasket	

## LP9L PART NUMBER CODE

LP9L	-	X	X	X	X	X	X	X
<b>Button Style*</b>	<b>Case Style*</b>	<b>Terminal Style</b>	<b>Circuit Form</b>	<b>Operating Force</b>	<b>Light Source</b>	<b>Case Color</b>	<b>Button Color</b>	
1. Flush 2. Raised 3. Flush Matte 4. Raised Matte	1. Round/Threaded 2. Snap-In	1. Solder 2. PC Pin	1. N.O. 2. N.C. 3. 2 Circuit	1. Standard Snap-Action 2. Low Force Snap-Action	A. 2V Red LED B. 2V Green LED C. 2V Amber LED D. 2V Blue LED E. 2V White LED F. 12V Red LED G. 12V Green LED H. 12V Amber LED J. 12V Blue LED K. 12V White LED L. 2V Deep Green LED M. 12V Deep Green LED	1. Red 2. Black 3. Orange** 4. Yellow** 5. Green** 6. Blue** 7. Violet** 8. Gray** 9. White	1. Red 2. Black 3. Orange 4. Yellow 5. Green 6. Blue 7. Violet 8. Gray 9. White	

\* Button and case will be of the same texture.  
For all mixed gloss/matte combination options, contact factory.

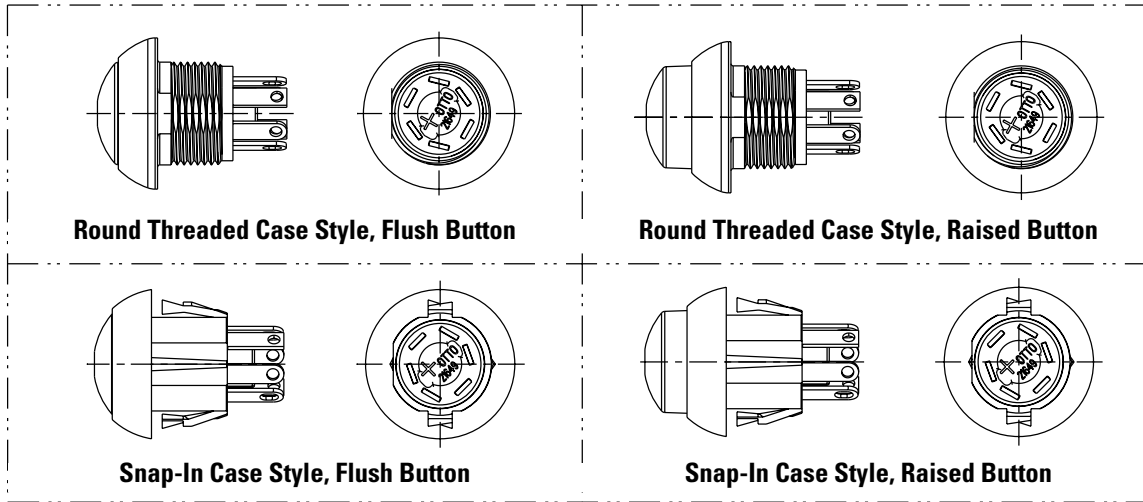
\*\* For minimum requirement, contact factory.

# ILLUMINATED SEALED DOME PUSHBUTTONS

LP9L

ILLUMINATED  
PUSHBUTTONS

MOMENTARY ACTION COMMERCIAL GRADE LED ILLUMINATED & WATERTIGHT SEALED

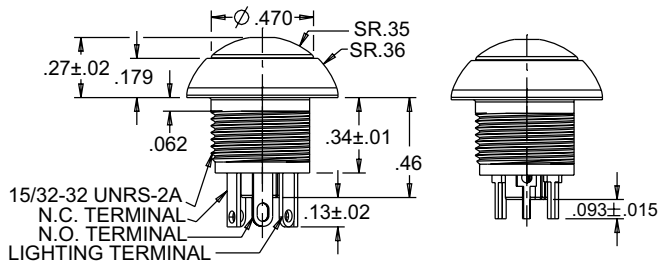


Standard Terminals

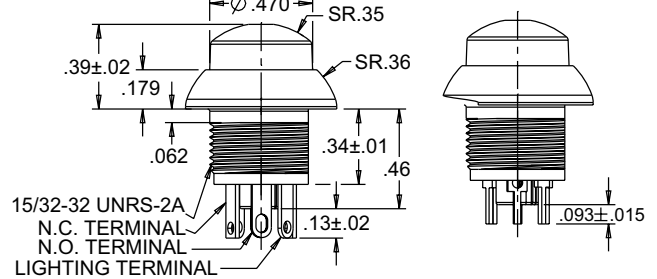
P.C. Terminals

Standard Terminals

P.C. Terminals



FLUSH BUTTON ROUND THREADED



RAISED BUTTON ROUND THREADED

