

POSITIVE ACTION NON-TEASIBLE TOGGLE

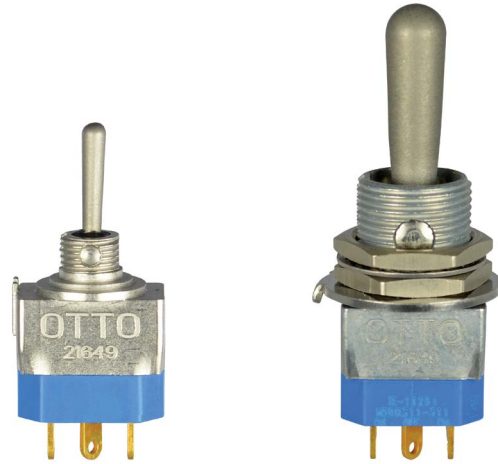
The TE series is a MIL qualified, snap-action, non-teasible, positive make and break, panel mount toggle switch.

The non-teasible mechanism assures that the switch will actuate and not “hang up” even when actuated very slowly. A fluorosilicone seal protects the contact area from contaminants such as dust, moisture and sand. All metal components are corrosion resistant and designed to exceed all military requirements.

This environmentally sealed switch is available in single and double pole configurations with 15/32 or 1/4-40 bushings. The TE series is ideal in applications for dry circuit, low level and power switching applications.

**Features:**

- Positive action miniature toggle
- Wiping action contacts
- Momentary & maintained toggle action
- Panel mount
- Solder lug termination
- Single & double pole
- Sealed per MIL-DTL-8834
- MIL qualified MS90310-211/221/231/271/311  
MS90311-211/221/231/271/311  
MS24655-211/221/231/271/311  
MS24656-211/221/231/271/311/331/341/351
- RoHS/WEEE/Reach compliant
- Black matte finish available. Contact factory.

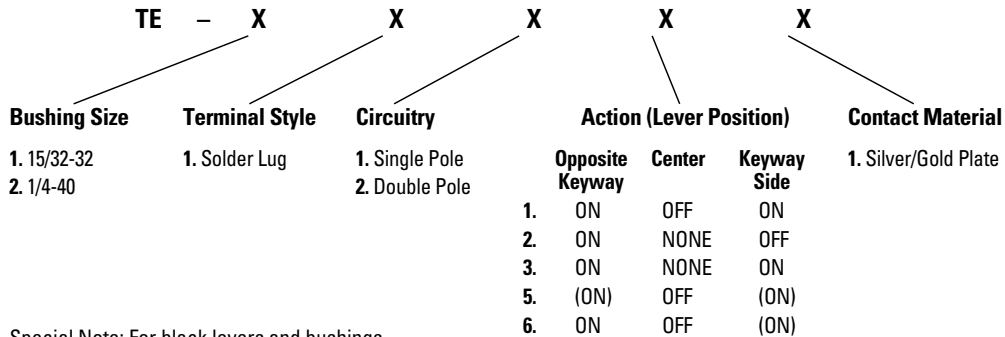


1/4-40 Bushing Style

15/32-32 Bushing Style

Standard Characteristics/Ratings:				
<b>ELECTRICAL RATINGS:</b>				
<b>Load</b>	<b>Sea Level @ 28VDC</b>	<b>Sea Level @ 115VAC, 60Hz</b>	<b>Sea Level @ 115VAC, 400Hz</b>	<b>Sea Level Low Level @ 5mV</b>
Resistive	5A	2A	3A	25mA
Inductive	1A	1A	2A	25mA
<b>Electrical Life:</b>	20,000 cycles			
<b>Mechanical Life:</b>	40,000 cycles			
<b>Seal:</b>	Per MIL-DTL-8834			
<b>Operating Temp Range:</b>	-55°C to +71°C			
<b>MATERIALS:</b>				
<b>Handle:</b>	Stainless steel with lusterless finish			
<b>Bushing:</b>	Aluminum alloy (15/32)			
<b>Cover:</b>	Stainless steel			
<b>Mounting Hardware:</b>	Hex nuts, lockwasher and keyway washer Silicone seal when applicable			

**TE PART NUMBER CODE**



Special Note: For black levers and bushings, contact factory.

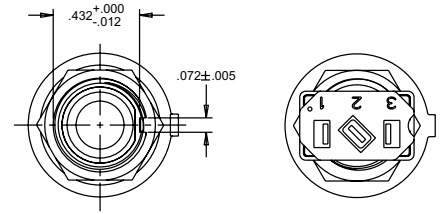
Optional Panel Seal Gasket for 15/32-32 bushing  
P/N 710196 per MIL. P/N M5423/16-01

NOTE: ( ) denotes momentary action.

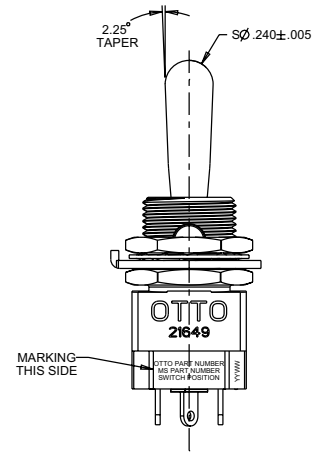
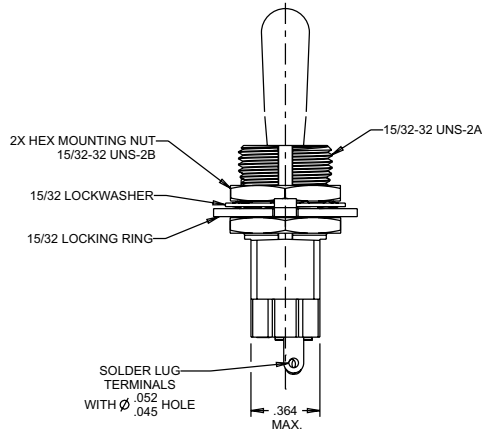
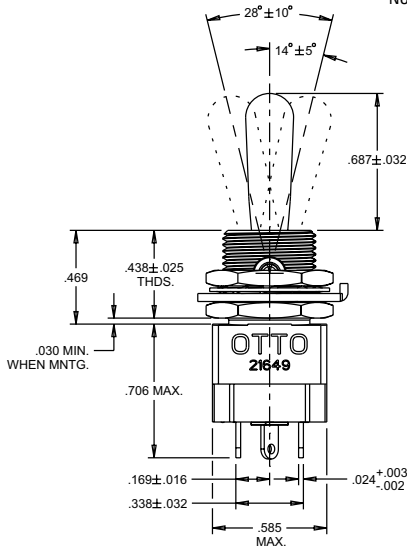
## POSITIVE ACTION NON-TEASIBLE TOGGLE

### TE-111 15/32-32, Single Pole MS90310

CIRCUITS MADE WITH LEVER IN THESE POSITIONS:				
	Opposite Keyway	Center	Keyway	MS Dash Number
1.	ON 2-3	OFF	ON 1-2	-211
2.	ON 2-3	NONE	OFF	-221
3.	ON 2-3	NONE	ON 1-2	-231
5.	(ON) 2-3	OFF	(ON) 1-2	-271
6.	ON 2-3	OFF	(ON) 1-2	-311

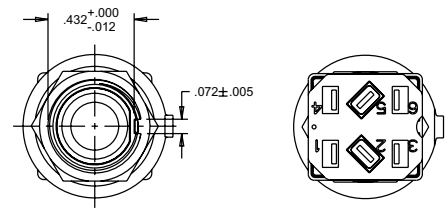


NOTE: ( ) denotes momentary action.

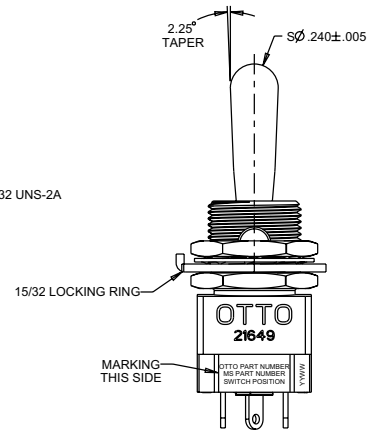
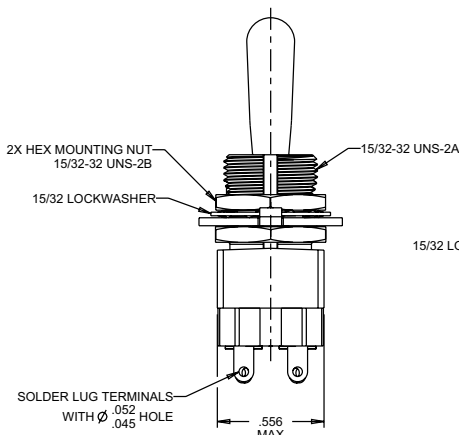
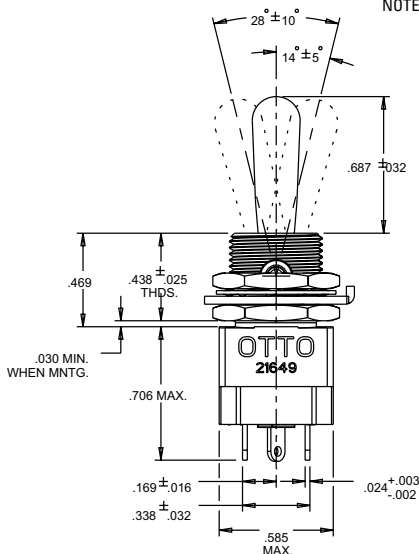


### TE-112 15/32-32, Double Pole MS90311

CIRCUITS MADE WITH LEVER IN THESE POSITIONS:				
	Opposite Keyway	Center	Keyway	MS Dash Number
1.	ON 2-3, 5-6	OFF	ON 1-2, 4-5	-211
2.	ON 2-3, 5-6	NONE	OFF	-221
3.	ON 2-3, 5-6	NONE	ON 1-2, 4-5	-231
5.	(ON) 2-3, 5-6	OFF	(ON) 1-2, 4-5	-271
6.	ON 2-3, 5-6	OFF	(ON) 1-2, 4-5	-311

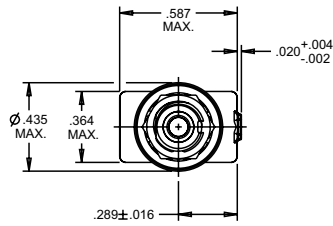


NOTE: ( ) denotes momentary action.



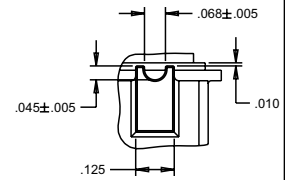
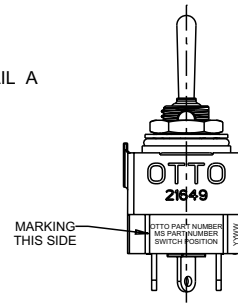
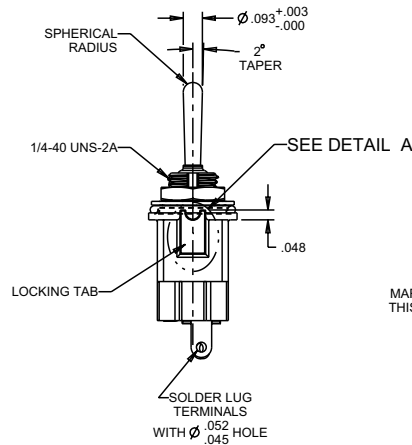
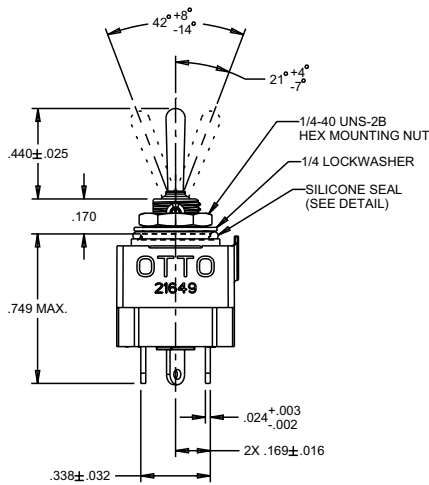
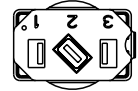
## POSITIVE ACTION NON-TEASIBLE TOGGLE

### TE-211 1/4-40 Bushing Single Pole MS24655

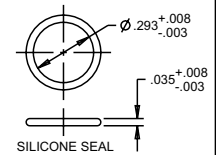


CIRCUITS MADE WITH LEVER IN THESE POSITIONS:			
Opposite Keyway	Center	Keyway	MS Dash Number
1. ON 2-3	OFF	ON 1-2	-211
2. ON 2-3	NONE	OFF	-221
3. ON 2-3	NONE	ON 1-2	-231
5. (ON) 2-3	OFF	(ON) 1-2	-271
6. ON 2-3	OFF	(ON) 1-2	-311

NOTE: ( ) denotes momentary action.

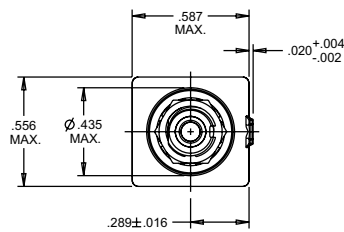


DETAIL A



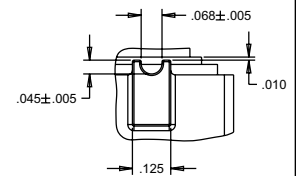
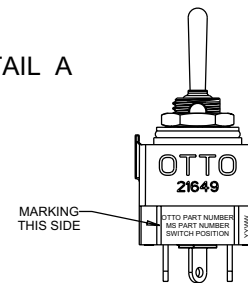
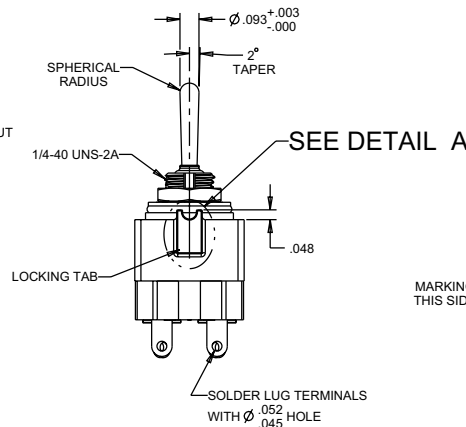
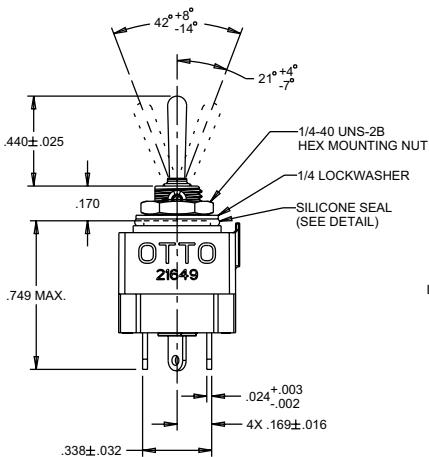
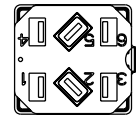
SILICONE SEAL

### TE-212 1/4-40 Double Pole MS24656

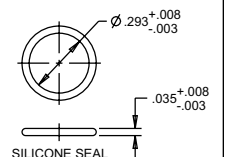


CIRCUITS MADE WITH LEVER IN THESE POSITIONS:			
Opposite Keyway	Center	Keyway	MS Dash Number
1. ON 2-3, 5-6	OFF	ON 1-2, 4-5	-211
2. ON 2-3, 5-6	NONE	OFF	-221
3. ON 2-3, 5-6	NONE	ON 1-2, 4-5	-231
5. (ON) 2-3, 5-6	OFF	(ON) 1-2, 4-5	-271
6. ON 2-3, 5-6	OFF	(ON) 1-2, 4-5	-311

NOTE: ( ) denotes momentary action.



DETAIL A



SILICONE SEAL