

SUBMINIATURE WATERTIGHT SEALED

P6-3
LIMIT
SWITCHES

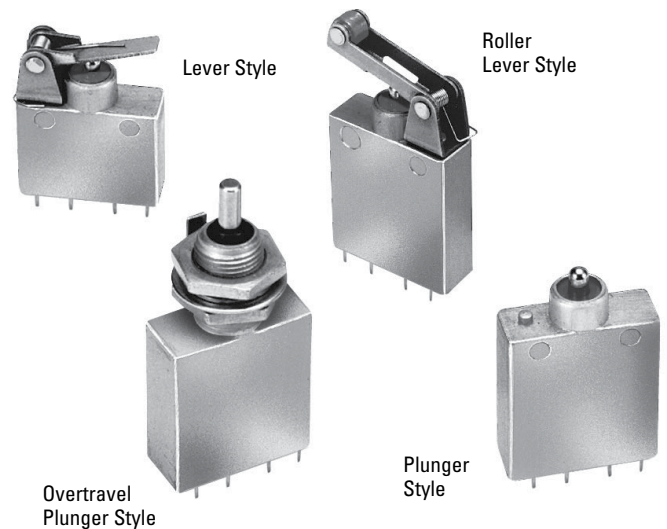
FEATURING OTTO B5 SERIES BASIC SWITCHES

These subminiature sealed switches are contained in a rugged aluminum housing with choice of lever, roller or plunger. Featuring the B5 series basic switch, the P6-3 series is able to switch up to 10 amps. The high contact pressure and superior wiping action of the OTTO design also makes the P6-3 series an excellent choice when switching logic level loads.

Sealing against water and other liquids is per MIL-PRF-8805. Wire leaded models feature potted leads. The solder terminals are epoxy sealed.

Features:

- Compact design
- Watertight to MIL-PRF-8805
- Choice of four actuator styles
- Choice of wire lead or solder termination styles
- Up to 10 amps switching capability
- High contact pressure for low levels
- Precision operating points
- Reach compliant



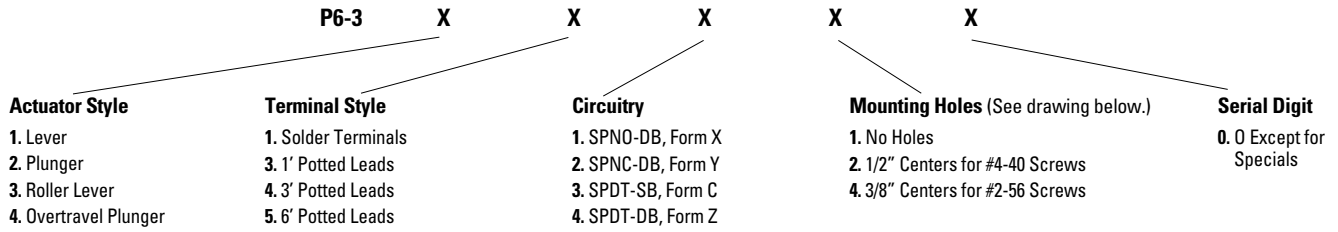
LIMIT SWITCHES

Standard Characteristics/Ratings:								
ELECTRICAL RATINGS:	Sea Level @ 28VDC				50,000 feet @ 28VDC			
	Single Circuit N.O. or N.C.	2 Circuit Per Pole		Single Circuit N.O. or N.C.	2 Circuit Per Pole			
Load	10A	10A		10A	10A			
Resistive	10A	10A		10A	10A			
Inductive	7.5A	5A		3.5A	2A			
Motor	4A	2A		N/A	N/A			
DWV	1000Vrms			500Vrms				
Electrical Life:	50,000 cycles							
Mechanical Life:	50,000 cycles							
OPERATIONAL:	P6-31	P6-32	P6-33	P6-34	P6-35	P6-36	P6-37	P6-38
Operating Force:	16 oz max	40 oz max	20 oz max	40 oz max	32 oz max	40 - 60 oz max	20 oz max	48 oz max
Release Force:	4 oz min	8 oz min	4 oz min	8 oz min	4 oz min	24 oz min	4 oz min	8 oz min
Movement Differential:	0.060" max	0.020" ± 0.010" max	0.060" max	0.020" ± 0.010" max	0.080" max	0.010" - 0.035" max	0.080" max	0.040" max
Pretravel:	0.125" max	0.050" max	0.125" max	0.070" max	0.125" max	0.050" max	0.125" max	0.070" max
Overtravel:	0.025" min	0.012" min	0.025" min	0.187" min	0.025" min	0.012" min	0.025" min	0.187" min
Strength of Actuator:	10.0 lbs.	25.0 lbs.	10.0 lbs.	25.0 lbs.	10.0 lbs.	25.0 lbs.	10.0 lbs.	25.0 lbs.
Temperature Range:	-55°C to +85°C							
Seal:	Enclosure Design 3, watertight per MIL-PRF-8805							
MATERIALS:								
Plunger:	Corrosion resistant steel							
Lever:	Corrosion resistant steel (where applicable)							
Mounting Hardware:	None provided							

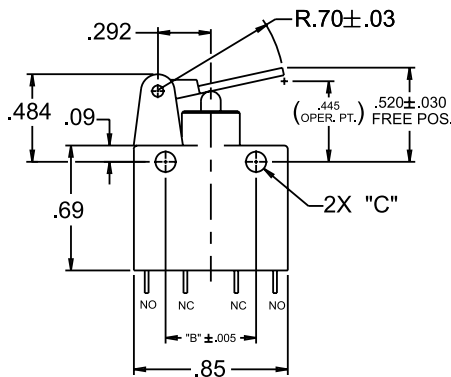
FEATURING OTTO B5 SERIES BASIC SWITCHES

P6-3 PART NUMBER CODE

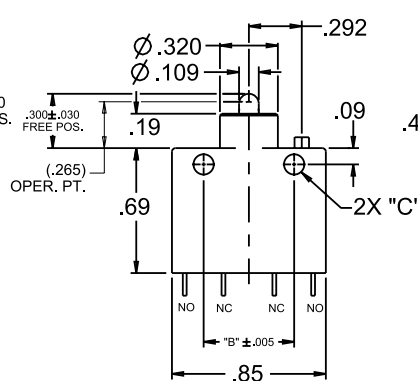
Single Pole



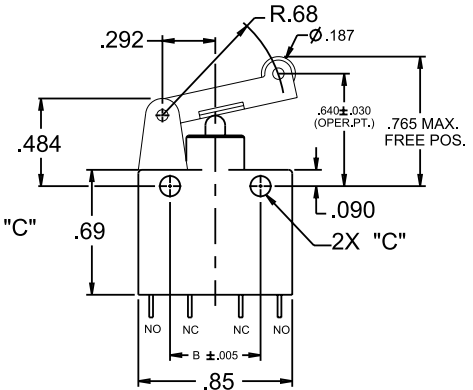
STYLE P6-31



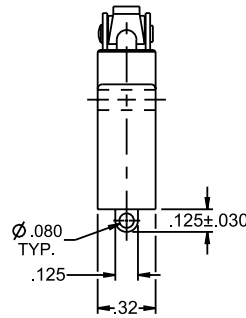
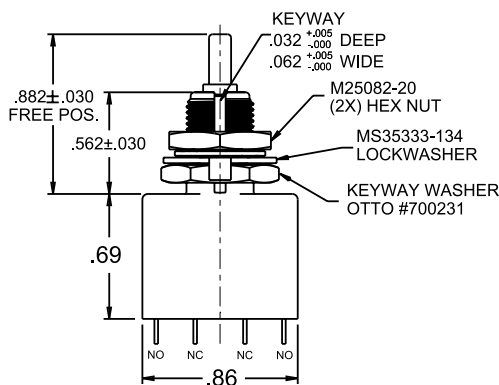
STYLE P6-32



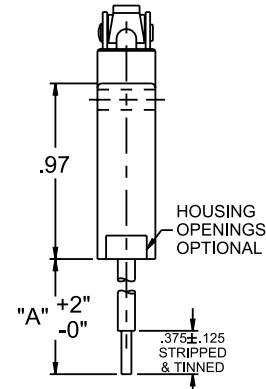
STYLE P6-33



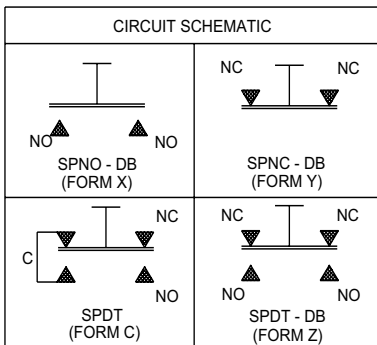
STYLE P6-34



**SOLDER TERMINAL
(TERM. STYLE 1
EXAMPLE)**



**POTTED WIRE LEADS
(TERM. STYLES 3, 4 & 5
EXAMPLE)**



POTTED WIRE LEADS		DIM "B" CNTRS.	DIM "C" DIA.
STYLE	DIM "A"		
3	12"		
4	36"		
5	72"		
MOUNTING HOLES:			
CODE 2 FOR 4-40 SCREWS		.500	Ø.112 ± .003
CODE 4 FOR 2-56 SCREWS		.375	Ø.089 ± .003